

auto electrical parts

Technical Information Sheet

Part No. 0-668-81

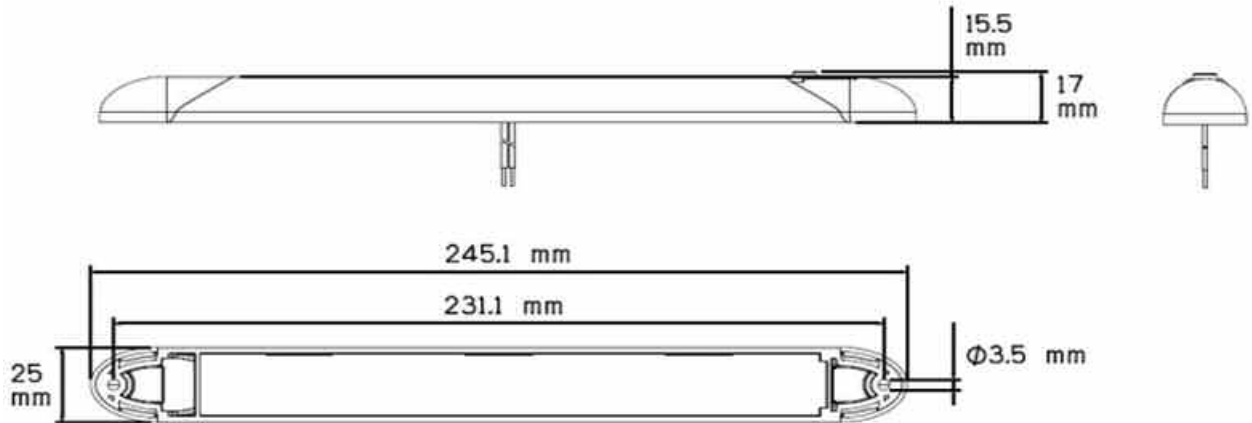
Slim 12/24 volt LED linear interior lamp with integral switch, 9 SMD LEDs, 600Lm, IP67, surface mounting, white bezel surround . EMC R10 approved. c/w 100mm cable.

Additional information

Black wire 12/24v +ve
White wire -ve ground



Technical Drawing (not to scale)



Specification

Type	LED interior lamp
Voltage	12/24 volt dc
LED	9 SMD
Illumination	600Lm
Housing	Plastic
Lens	PC
Dimensions	As above
Compliance	EMC R10
Operating Temperature	-30 ~ 50 °C

The information contained in this document is correct to the best of our knowledge at the time of printing. However, specifications may change at any time without notice.